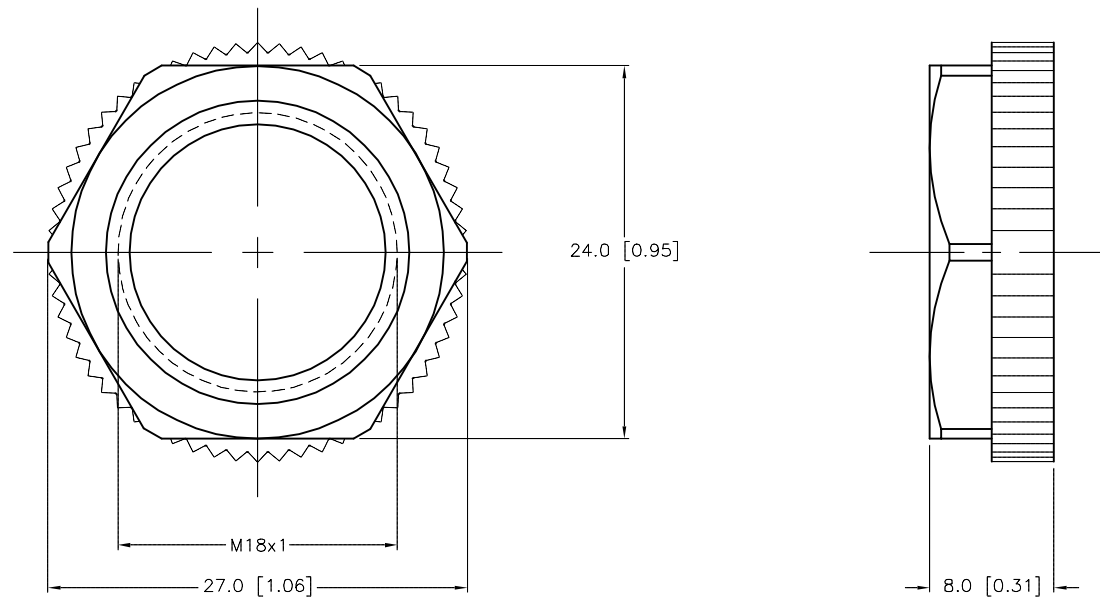


SPECIFICATIONS

MATERIAL/COLOR	PA 66 NYLON/BLACK
-	-



SOURCE DRAWING - FOR REFERENCE ONLY

RELATED DOCUMENTS		3RD ANGLE PROJECTION		THIS DRAWING IS CONFIDENTIAL AND THE PROPERTY OF TURCK INC. USE OF THIS DOCUMENT WITHOUT WRITTEN PERMISSION IS PROHIBITED.		3000 CAMPUS DRIVE MINNEAPOLIS, MN 55441 1-800-544-7769 (763) 553-7300 (763) 553-0708 fax www.turck.us		
1. 2. 3. 4.				DRFT JBJ DATE 08/30/00 APVD SCALE 2=1.0		DESCRIPTION LOCKNUT-P18 (10/BAG)		
MATERIAL SEE SPECIFICATIONS		ALL DIMENSIONS DISPLAYED ON THIS DRAWING ARE FOR REFERENCE ONLY		UNIT OF MEASUREMENT MILLIMETER [INCH]		IDENTIFICATION NO. A3448		
FINISH SEE SPECIFICATIONS		CONTACT TURCK FOR MORE INFORMATION		DO NOT SCALE THIS DRAWING		REV A		
A	DRAWING RELEASE	JB	08/30/00	FILE: A3448				SHEET 1 OF 1
REV	DESCRIPTION	BY	DATE	ECO NO.				

